

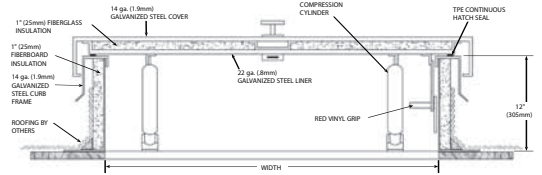
STOCK ROOF HATCHES

RHG-1 GALVANIZED ROOF HATCHES



RHG-1

- 14 gauge galvanized steel curb, 12" high with 4" wide flange including holes for securing to roof deck.
- Curb includes integral, rounded corner, and counter flashing.
- EPDM draft seal gasket.
- Heavy gauge automatic hold open arm with red grip for opening and closing.
- Exterior latch handle with integral padlock hasp, inside locking handle with interior padlock hasp.



*Aluminum Roof Hatch Available by Request.

Other sizes and colors available. Call for information.

The RHG-1 Roof Hatch features a 14 gauge galvanized steel cover with a 22 gauge galvanized steel liner with a Hammertone powder coat gray finish and standard heavy duty hinge. 1" fiberboard insulation surrounds the base and there is 1" fiberglass insulation between the exterior door cover and liner. This roof hatch is compression operated with a shock absorbing cylinder for safe closure.

STEEL ROOF HATCHES*

Catalog#	Size	List\$
W-10091	30" X 36"	\$1,195.00

SINGLE DUCT TERMINAL UNITS*

* We can strap two boxes together to make a dual box.



SDV

- ARI Certified sound performance.
- Heavy gauge steel construction.
- Low leakage damper design.
- Thermally insulated inlet tube.
- Acoustically and thermally insulated casing meets UL181 and NFPA 90A requirements.
- Slip and drive discharge connection.
- Damper position indicator mark.
- Electronic controls available.
- Patented Flo-Cross Multipoint Flo-Sensor.

Pricing on next page

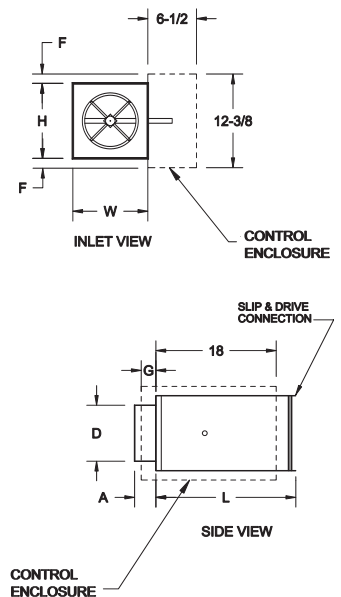
Model SDV Pneumatic Controls

- Pressure independent.
- Pneumatic actuator.
- Control enclosure included.
- Damper position indicator on shaft.
- Multifunction controller.
- DA-NO/NC or RA-NO/NC.
- Field calibration required.

Model SDV No Controls

- Unit stocked less controls.
- Control enclosure included.
- Flo-Cross Multipoint Flo-Sensor.
- 3/8" bare damper shaft.

SDV Dimensional Data



Unit Size	CFM Range Min to Max	Length (L)	Height (H)	Width (W)	Inlet Dimension (D)
6	0/100-520	15-1/2"	8"	12"	5-7/8"
8	0/185-925	15-1/2"	10"	12"	7-7/8"
10	0/290-1450	15-1/2"	12-1/2"	14"	9-7/8"
12	0/420-2100	15-1/2"	15"	16"	11-7/8"
14	0/580-2600	15-1/2"	17-1/2"	20"	13-7/8"
16	0/740-3700	15-1/2"	18"	24"	15-7/8"
24	0/1420-7100	15"	see above	see above	see above

SINGLE DUCT TERMINAL UNITS

SINGLE DUCT TERMINAL UNITS, NO CONTROLS

Catalog#	Size	List\$
W-12341	6"	\$220.00
W-12342	8"	\$234.00
W-12343	10"	\$263.00
W-12344	12"	\$284.00
W-12345	14"	\$316.00
W-12346	16"	\$355.00
W-12510	24"X16"	\$695.00

SINGLE DUCT TERMINAL UNITS, PNEUMATIC CONTROLS

Catalog#	Size	List\$
W-12347	6"	\$416.00
W-12348	8"	\$430.00
W-12349	10"	\$458.00
W-12350	12"	\$480.00
W-12351	14"	\$512.00
W-12352	16"	\$551.00
W-12511	24"X16"	\$890.00

SINGLE DUCT TERMINAL UNITS, W/ENVIROSEAL LINING, NO CONTROLS

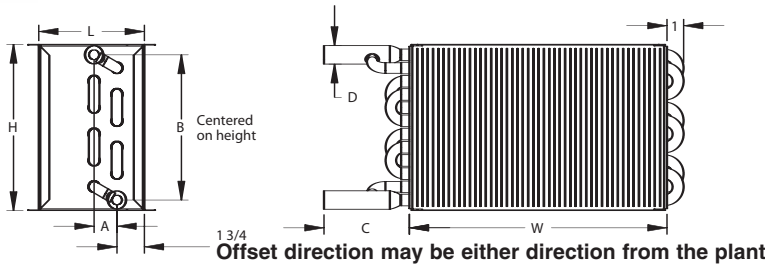
Catalog#	Size	List\$
W-12521	6"	\$264.00
W-12522	8"	\$280.00
W-12523	10"	\$315.00
W-12524	12"	\$341.00
W-12525	14"	\$379.00
W-12526	16"	\$426.00
W-12527	24"X16"	\$836.00

OPTIONAL HOT WATER COILS 1 ROW AND 2 ROW



- Copper tubing-aluminum fins.
- Housed in galvanized casing.
- Coil mounts at discharge outlet.
- Slip and drive duct connection.
- Coil ships loose.
- Optional mounting available.

We can solder Water Control Valves on for free if desired.



Measurements in inches

Size	1 Row				2 Row							
	H	W	L	A	B	C	D	L	A	B	C	D
6	8"	12	5	0	6-1/4	3	1/2	5	0	6-7/8	4-1/4	7/8
8	10	12	5	0	8-3/4	3	1/2	5	1-1/8	9	4-1/4	7/8
10	12-1/2	14	5	1-1/4	10-7/8	4-1/4	7/8	5	1-1/8	11-1/2	4-1/4	7/8
12	15	16	5	1-1/4	13-3/8	4-1/4	7/8	5	1-1/8	14	4-1/4	7/8
14	17-1/2	20	7-1/2	1-1/4	15-7/8	4-1/4	7/8	7-1/2	1-1/8	16-1/2	4-1/4	7/8
16	18	24	7-1/2	1-1/4	15-7/8	4-1/4	7/8	7-1/2	1-1/8	16-1/2	4-1/4	7/8
24	18	38	5	1-1/4	15-7/8	4-1/4	7/8	5	1-1/8	16-1/2	4-1/4	7/8

OPTIONAL STOCK 3 FOOT ATTENUATORS

- 1 insulation, open both ends.
- S and D drive connections.



SINGLE DUCT TERMINAL UNITS, W/ENVIROSEAL LINING, PNEUMATIC CONTROLS

Catalog#	Size	List\$
W-12528	6"	\$460.00
W-12529	8"	\$476.00
W-12530	10"	\$511.00
W-12531	12"	\$537.00
W-12532	14"	\$575.00
W-12533	16"	\$622.00
W-12534	24" x 16"	\$1029.00

HOT WATER REHEAT COIL, 1-ROW

Catalog#	Size	List\$
W-12359	6"	\$77.00
W-12360	8"	\$88.00
W-12361	10"	\$130.00
W-12362	12"	\$169.00
W-12363	14"	\$209.00
W-12364	16"	\$235.00
W-12512	24" x 16"	\$444.00

HOT WATER REHEAT COIL, 2-ROW

Catalog#	Size	List\$
W-12365	6"	\$122.00
W-12366	8"	\$157.00
W-12367	10"	\$210.00
W-12368	12"	\$263.00
W-12369	14"	\$380.00
W-12370	16"	\$426.00
W-12512	24" x 16"	\$604.00

3-FOOT ATTENUATOR FOR VAV BOXES

Catalog#	Size	List\$
W-12514	6"	\$124.00
W-12515	8"	\$134.00
W-12516	10"	\$157.00
W-12517	12"	\$175.00
W-12518	14"	\$213.00
W-12519	16"	\$236.00
W-12520	24" x 16"	\$236.00