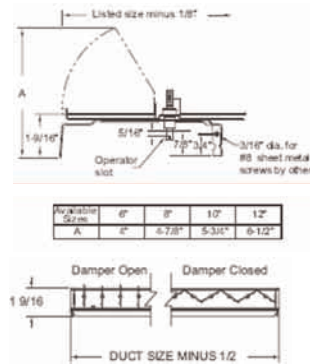


## ROUND OPPOSED BLADE DAMPER - For Round Neck Applications



**RON**

- Blades are gang-operated via flat blade screwdriver from below.
- Steel construction.
- Gray baked enamel finish.



Catalog#	Size	List\$
W-10272	6"	\$27.00
W-10273	8"	\$28.00
W-10274	10"	\$30.00
W-10275	12"	\$32.00

Round Opposed Blade Dampers snap into position in diffusers without requiring the use of tools, for a more efficient installation.

## SQUARE OPPOSED BLADE DAMPER - For Square Neck Diffusers and Grilles

### MODEL SOBD



**SOBD**

- Gang-operated blades.
- Damper operates with medium size flat blade screwdriver.
- Electrogalvanized steel construction.
- Tools-free mounting
- Includes mounting pins. Pins install by finger pressure.

Catalog#	Size	List\$
W-10252	6"x6"	\$17.00
W-10254	8"x8"	\$19.00
W-10258	10"x10"	\$26.00
W-10260	12"x12"	\$29.00
W-10263	14"x14"	\$35.00
W-10265	16"x16"	\$44.00
W-10266	18"x18"	\$53.00
W-10268	20"x20"	\$61.00
W-10270	22"x22"	\$69.00
W-10271	24"x24"	\$79.00

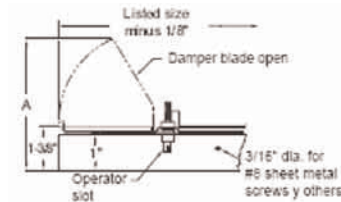
## ROUND NECK OPPOSED BLADE DAMPER

### MODEL ROD



**ROD**

- Blades are gang-operated for quick adjustment.
- Adjustment is via flat-blade screwdriver from below the face of the diffuser.
- Duct mounted, not recommended for use in flexible ducts.



Available Sizes	6"	8"	10"	12"
A	4-1/4"	5-1/8"	6"	6-7/8"

Standard finish is 6"-12" Mill or 14"-30" Black enamel

Catalog#	Size	List\$
W-12637	6"	\$26.00
W-12638	8"	\$28.00
W-12639	10"	\$30.00
W-12640	12"	\$32.00
W-12641	14"	\$38.00
W-12642	16"	\$58.00
W-12643	18"	\$66.00
W-12644	20"	\$74.00
W-12645	24"	\$87.00