

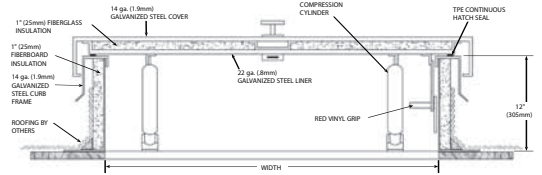
# STOCK ROOF HATCHES

## RHG-1 GALVANIZED ROOF HATCHES



**RHG-1**

- 14 gauge galvanized steel curb, 12" high with 4" wide flange including holes for securing to roof deck.
- Curb includes integral, rounded corner, and counter flashing.
- EPDM draft seal gasket.
- Heavy gauge automatic hold open arm with red grip for opening and closing.
- Exterior latch handle with integral padlock hasp, inside locking handle with interior padlock hasp.



\*Aluminum Roof Hatch Available by Request.

Other sizes and colors available. Call for information.

The RHG-1 Roof Hatch features a 14 gauge galvanized steel cover with a 22 gauge galvanized steel liner with a Hammertone powder coat gray finish and standard heavy duty hinge. 1" fiberboard insulation surrounds the base and there is 1" fiberglass insulation between the exterior door cover and liner. This roof hatch is compression operated with a shock absorbing cylinder for safe closure.

### STEEL ROOF HATCHES\*

Catalog#	Size	List\$
W-10091	30" X 36"	\$1,195.00

## SINGLE DUCT TERMINAL UNITS\*

\* We can strap two boxes together to make a dual box.

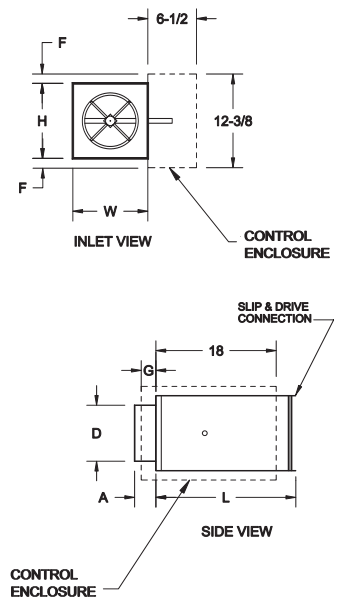


**SDV**

- ARI Certified sound performance.
- Heavy gauge steel construction.
- Low leakage damper design.
- Thermally insulated inlet tube.
- Acoustically and thermally insulated casing meets UL181 and NFPA 90A requirements.
- Slip and drive discharge connection.
- Damper position indicator mark.
- Electronic controls available.
- Patented Flo-Cross Multipoint Flo-Sensor.

*Pricing on next page*

### SDV Dimensional Data



#### Model SDV Pneumatic Controls

- Pressure independent.
- Pneumatic actuator.
- Control enclosure included.
- Damper position indicator on shaft.
- Multifunction controller.
- DA-NO/NC or RA-NO/NC.
- Field calibration required.

#### Model SDV No Controls

- Unit stocked less controls.
- Control enclosure included.
- Flo-Cross Multipoint Flo-Sensor.
- 3/8" bare damper shaft.

Unit Size	CFM Range Min to Max	Length (L)	Height (H)	Width (W)	Inlet Dimension (D)
6	0/100-520	15-1/2"	8"	12"	5-7/8"
8	0/185-925	15-1/2"	10"	12"	7-7/8"
10	0/290-1450	15-1/2"	12-1/2"	14"	9-7/8"
12	0/420-2100	15-1/2"	15"	16"	11-7/8"
14	0/580-2600	15-1/2"	17-1/2"	20"	13-7/8"
16	0/740-3700	15-1/2"	18"	24"	15-7/8"
24	0/1420-7100	15"	see above	see above	see above